

QUICK GUIDE G 300 KREA

Below are some simple instructions for loading products and clean-ing your appliance.

When cleaning your appliance, Evoca recommends the use of its own tested and certified products which are available on eCommerce. Scan the QR alongside here to order them.

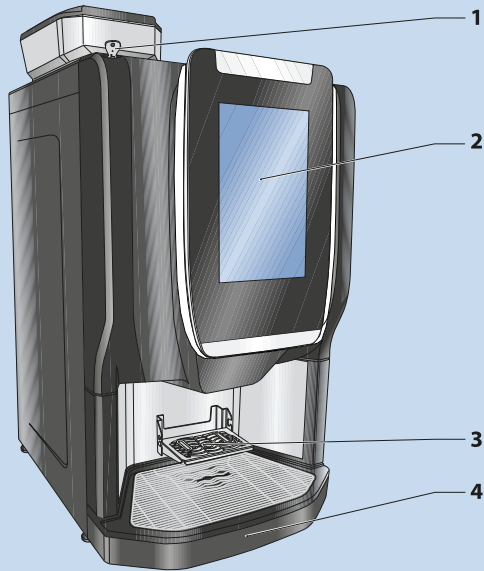


Warnings are highlighted with this symbol

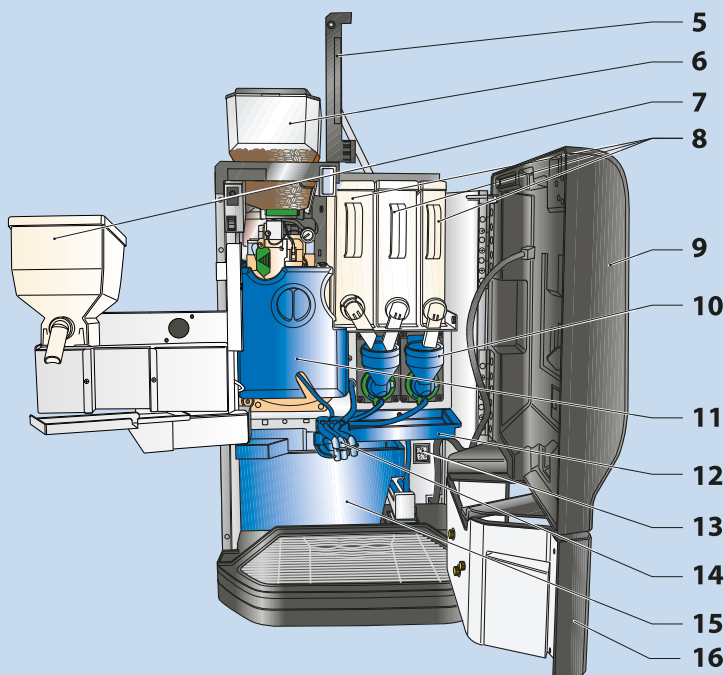


* Only on some versions

<https://store.evocagroup.com>



1	Lock
2	Touch screen
3	Cup support
4	Liquid residue tray

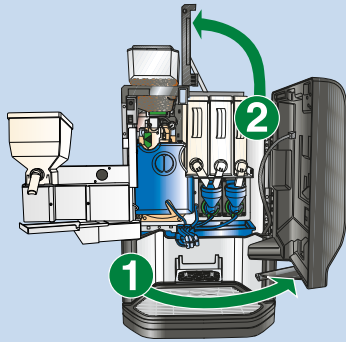


5	Upper panel
6	Coffee bean hopper
7	Additional instant product container *
8	Instant products container
9	DOOR
10	Mixer
11	Brewing unit cover
12	Mixer tray
13	On / off switch
14	Nozzles
15	Solid residue tray
16	Lower door

Product loading

i This operation can be performed at any time or after the error message appears.

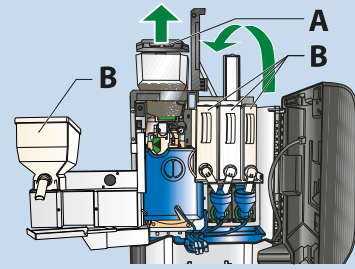
1



Product loading

1. Open the appliance door
2. Lift the upper panel

2



Ensure that the products to be loaded have been stored correctly and have not expired

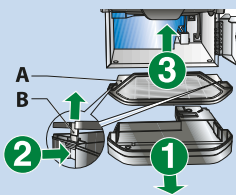
Product loading

1. Load coffee beans through the port (A)
2. Load the soluble products into container (B), making sure that the powder is not compressed
3. If the instant product level control is active, indicate the quantity of product loaded from the "Daily actions" function

Tray cleaning

i This operation can be performed at any time or after the error message appears.

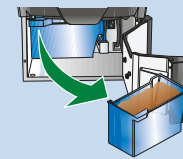
1



Cleaning the liquid residue tray:

1. Grab the tray on its sides, lift slightly and pull
2. Press on hook B to unhook lid A of the liquid residue tray
3. Remove the grill
4. Empty and wash the tray, the grid and lid A

2

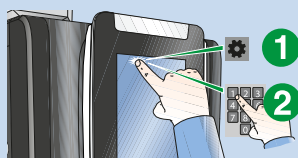


Cleaning the solid residue tray:


1. When the "Solid residue full" message appears, open the lower door
2. Grab the liquid residue tray on its sides, lift slightly and pull
3. Remove the solid residue tray, empty and wash it.
4. Reposition the tray in the reverse order
5. If the "Smart reset" function is not active, from the "Daily actions" functions, reset the meter that manages the "solid residues full" warning

"Daily actions" function

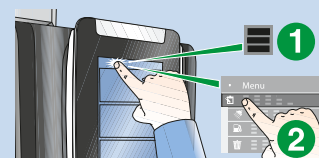
1

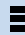
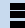



Write down the programmed access password

1. From the selection screen, tap  to access the menu
2. Enter the programmed password

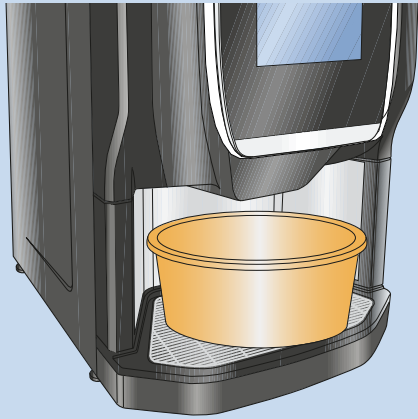
2



1. To access the menu tap 
2. Tap the "Daily actions" function
3. Access the desired function
 - . Container filling: to indicate the quantity of product loaded
 - . Residue product reset: to cancel the "residue tray full" display
 - . Washing functions
4. To exit the menu tap  and then 

Washing functions

1



Guided cleaning must be performed at the end of each service, or more frequently, depending on the use of the appliance.



Washing cycles do not replace the need to dismantle components regularly for cleaning.

Place a receptacle under the nozzles as indicated in the guided sequence on the display.

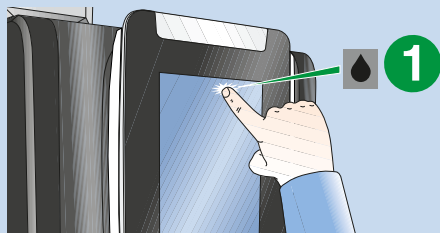


Access to the washing functions varies depending on the configuration set:


- **STANDARD** for operator workstations.
- **SELF** for self-service workstations.

In STANDARD mode, follow the instructions in 2a.
In SELF mode, follow the instructions in 2b.

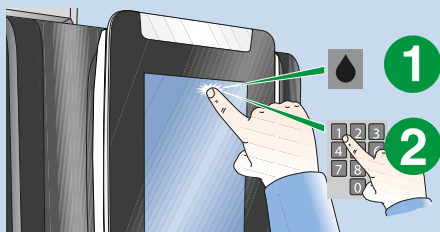
2a




Access to wash/rinse menu "STANDARD" mode

1. From the selection screen, tap 
2. Choose the wash or rinse to be performed
3. Follow the instructions on the display

2b



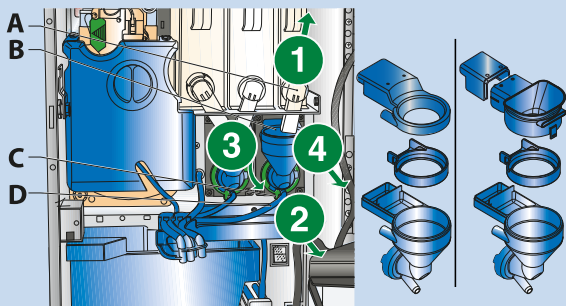
Access to the "SELF" mode wash/rinse menu

1. From the selection screen, tap 
2. Enter the programmed password
3. Choose the wash or rinse to be performed
4. Follow the instructions on the display

Cleaning mixer, nozzles and brewing unit

i Perform these operations weekly, or more frequently, depending on the use of the appliance.

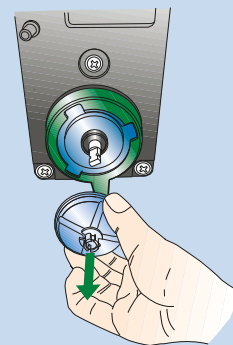
1



Remove the mixer:

1. Raise the soluble product conveyor (A)
2. Remove the tube (D) from the mixer
3. Turn the mixer fixing lever (C) counterclockwise
4. Remove the mixer (B)
5. Separate all mixer components.

2



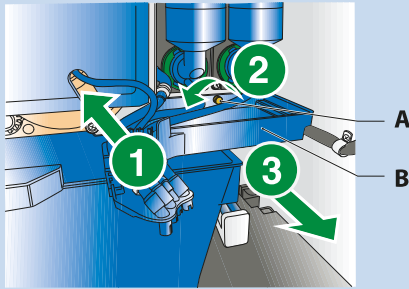
Remove the mixer:

Gently tug to remove the mixer fan

Cleaning mixer, nozzles and brewing unit

i Perform these operations weekly, or more frequently, depending on the use of the appliance.

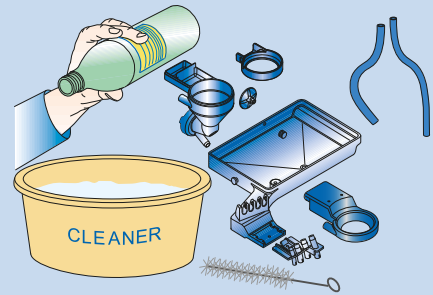
3



Remove the nozzles and mixer tray:

1. Detach the nozzles from the holder and disconnect the hoses
2. Unscrew the knurl (A) of the mixing bowl (B)
3. Remove the mixer tray

4

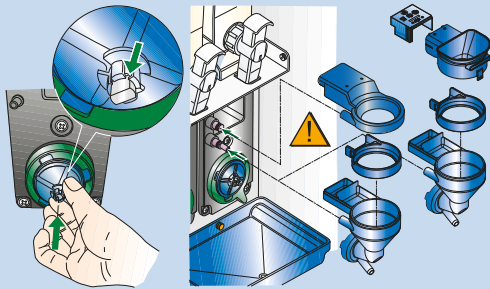


To avoid altering the taste of drinks, do not use highly scented detergents and/or solvents

Wash the components

1. Wash all components with a sanitizing solution, making sure you remove residues and visible films using brushes and/or brushes.
2. Rinse and dry all parts thoroughly

5



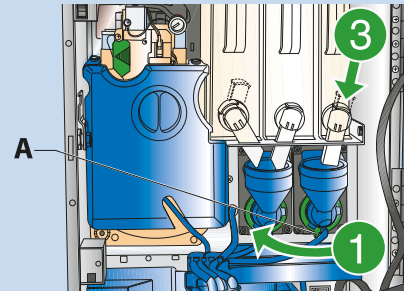
Reassemble the mixer

1. Reposition and push the mixer fan
2. Make sure it is inserted completely, until it clicks
3. Reassemble the components and reposition the mixer



Make sure that the couplers are inserted correctly in the mixer

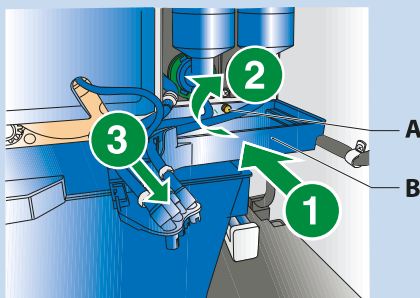
6



Reassemble the mixer

1. Turn the lever (A) clockwise to fasten the mixer to the appliance
2. Reconnect tubes to the mixers
3. Lower the soluble powder nozzles

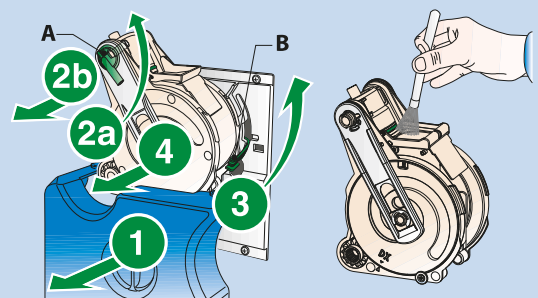
7



Reassemble the nozzles and mixer tray

1. Reposition the mixer tray (B)
2. Twist on the knurl (A)
3. Reconnect the nozzles to the hoses and reposition the nozzles in the holder
4. Close the door and rinse the mixer to remove any detergent residue.

8



Removal and external cleaning of brewing unit

1. Remove the cover from the brewing unit
2. Turn the coffee outlet nozzle (A) 90° and pull it towards you
3. Operate the group stop lever (B) by turning it horizontally
4. Remove the coffee group
5. Dust using a brush or a small vacuum cleaner and rinse under a stream of lukewarm water
6. Reposition the brewing group following the operations in reverse order